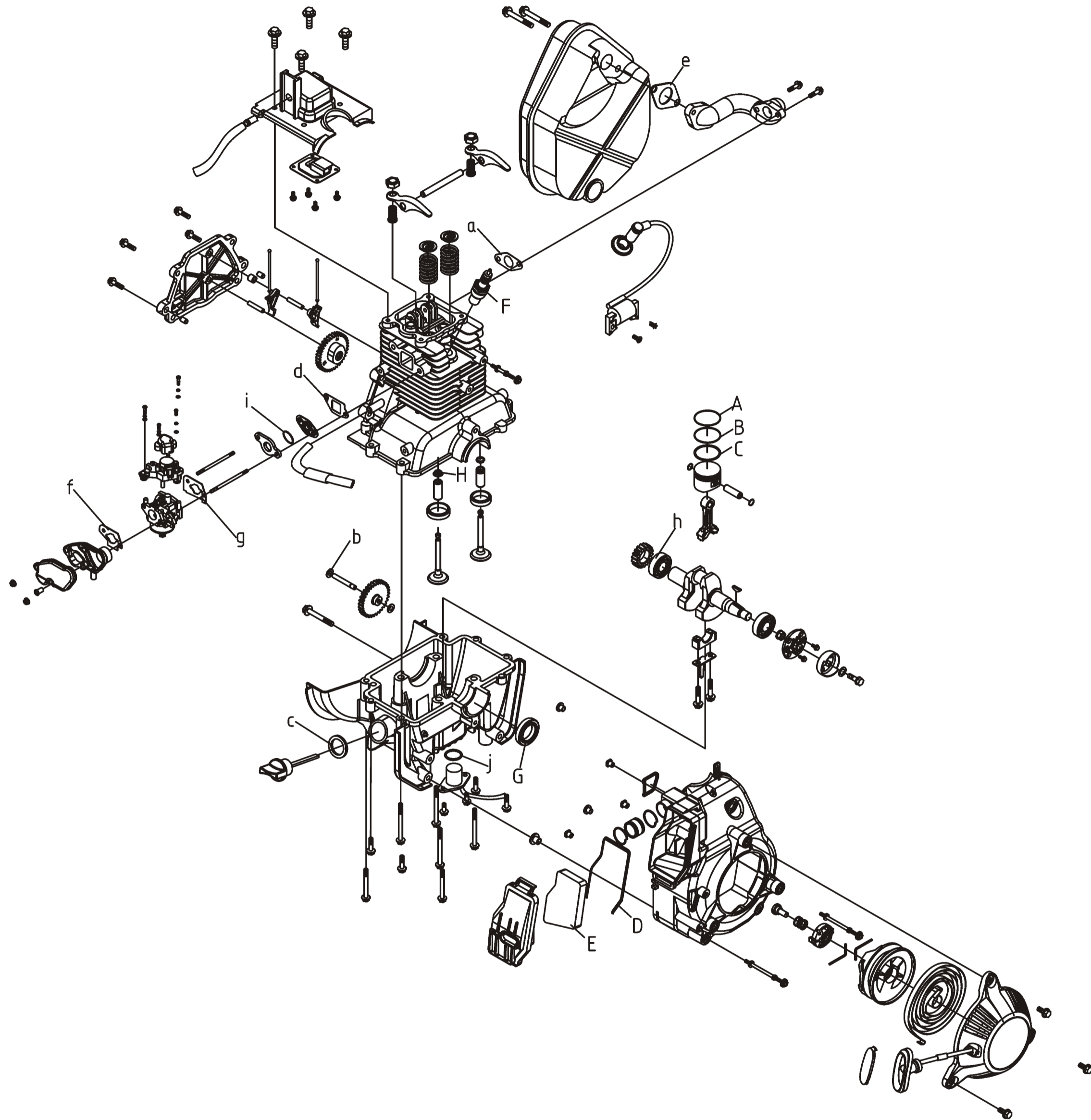


ASSEMBLY AND PARTS DRAWING

KG144



Easy Wearing Parts

Ref.No	Part.No	Description	Qty.
A	KG55-04001	1st Air Ring	1
B	KG55-04002	2nd Air Ring	1
C	KG55-04100	Oil Ring Parts	1
D	KG55-07113	Sealing Gasket II	1
E	KG55-07122	Filter Element	1
F	QC/T430-1999	Spark Plug A7RTC	1
G	KG55-01037	Oil Seal(ϵ 27X ϵ 17X5)	1

Oil Seal

Ref.No	Part.No	Description	Qty.
H	KG55-01041	Inlet Valve Pipe Oil Seal	1

Gasket

Ref.No	Part.No	Description	Qty.
a	KG55-01023	Exhaust Pipe Gasket	1
b	KG55-01104	Gasket(ϵ 10X ϵ 4X0.5)	2
c	KG240-01016	Oil Rule Gasket	1
d	KG55-01018	Inlet Pipe Gasket	1
e	KG55-08002	Muffler Gasket	1
f	KG55-10003	Carburetor Gasket	1
g	KG55-10004	Carburetor Gasket A	1

Bearing

Ref.No	Part.No	Description	Qty.
h	GB/T276-1994	Rolling Bearing 6203	2

Tight Torque for Main Bolts and Nuts Unit:N.m

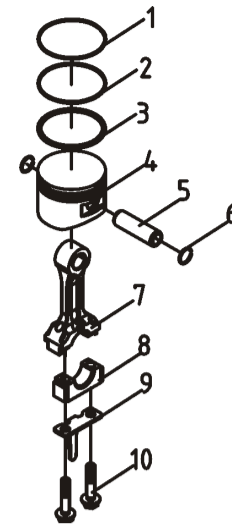
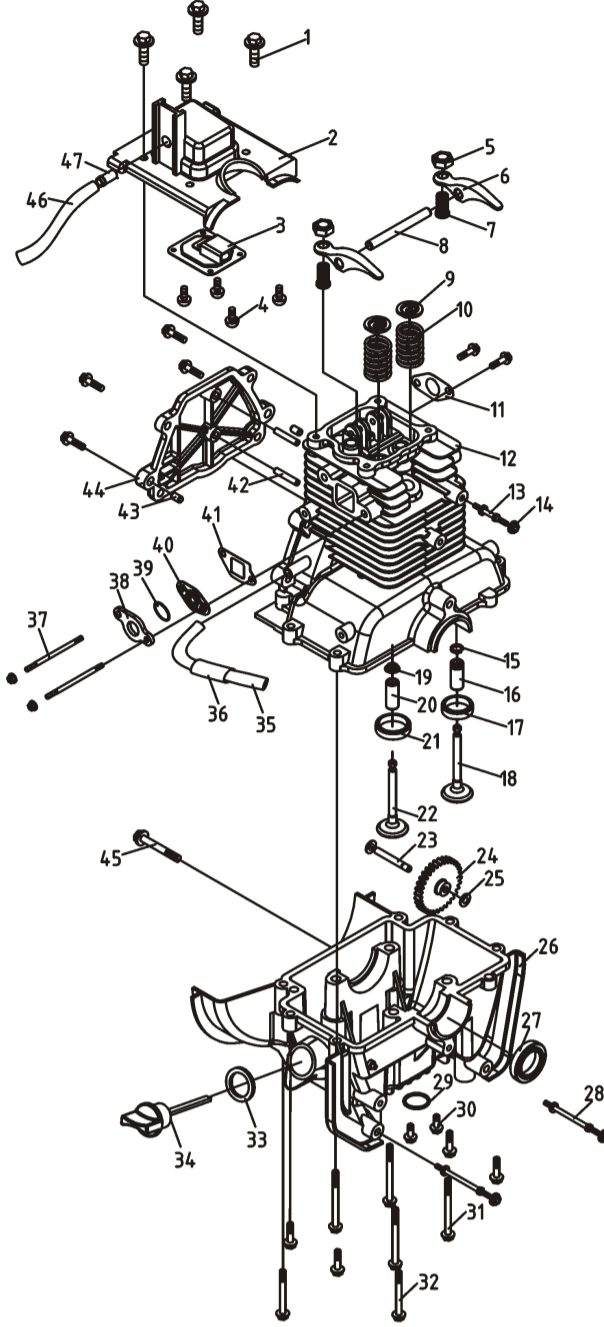
Ref.No	Description	Qty.
①	Connection Rod Bolt	8-10
②	Flywheel Nut	48-52
③	Crankcase Cover Bolt	6-8
④	Spark Plug	12-15
⑤	Standard M6 Bolt(Nut)	8-10
⑥	Standard M5 Bolt(Nut)	6-8

O Seal Ring

Ref.No	Part.No	Description	Qty.
i	KG55-01033	O Seal Ring (20X1.4)	1
j	KG55-01015	O Seal Ring (27.5X2.65)	1

Cylinder Block Assembly KG55AGTi-01000

No.	Part.No	Part name	Qty.
1	GB/T5789-1986	Bolt M5X20	14
2	KG55AGTi-01009	Cylinder Cover	1
3	KG55AGTi-01300	Inspirator Parts	1
4	GB/T818-2000	Screw M3X5	4
5	KG55-01039	Valve Clearance Adjusting Nut	2
6	KG55-01008a	Valve Rocker Arm	2
7	KG55-01006	Valve Clearance Adjusting Screw	2
8	KG55-01007	Rocker Arm	1
9	KG55-01026	Valve Spring Seat	2
10	KG55-01027	Valve Spring	2
11	KG55-01023	Exhaust Pipe Gasket	1
12	KG55AGTi-01205	Cylinder Block	1
13	KG55-01014	Air Conduct Cover Stud (II)	1
14	GB/T6177.1-2000	Nut M5	5
15	GB/T895.2-1986	Retainer Ring 7	1
16	KG55-01202	Exhaust Valve Pipe	1
17	KG55-01204	Exhaust Valve Seat	1
18	KG55-01025	Exhaust Valve	1
19	KG55-01041	Inlet Valve Pipe Oil Seal	1
20	KG55-01201	Inlet Valve Pipe	1
21	KG55-01203	Inlet Valve Seat	1
22	KG55-01024	Inlet Valve	1
23	KG55AGTi-01103	Oilgear Shaft	1
24	KG55AGTi-01102	Oilgear	1
25	KG55-01104	Gasket(ϵ 10X ϵ 4X0.5)	2
26	KG55AGTi-01101	Crankcase Oil Tray	1
27	KG55-01037	Oil Seal(ϵ 27X ϵ 17X5)	1
28	KG55-01028	Air Conduct Cover Stud (I)	2
29	KG55-01015	O Seal Ring(27.5X2.65)	1
30	GB/T5789-1986	Bolt M5X12	2
31	GB/T5789-1986	Bolt M6X55	4
32	GB/T5789-1986	Bolt M5X35	2
33	KG240-01016	Oil Rule Gasket	1
34	KG55-01031	Oil Rule	1
35	KG55AGTi-01036	Negative Pressure Pipe	1
36	KG55-01035	Pipe Cover	1
37	KG55-01038	Inlet Pipe Screw	2
38	KG55-01016	Insulation Block of Carburetor	1
39	KG55-01033	O Seal Ring(20X1.4)	1
40	KG55-01017	Heat Insulation Plate of Carburetor	1
41	KG55-01018	Inlet Pipe Gasket	1
42	KG55-01005	Tappet Shaft	2
43	KG55-01003	Location Pin of Crankcase Rear Cover	2
44	KG55AGTi-01001	Crankcase Rear Cover	1
45	GB/T5789-1986	Bolt M6X45	1
46	KG55AGTi-01034	Ventilation Pipe	1
47	KG55AGTi-01032	Pipe Connector	1

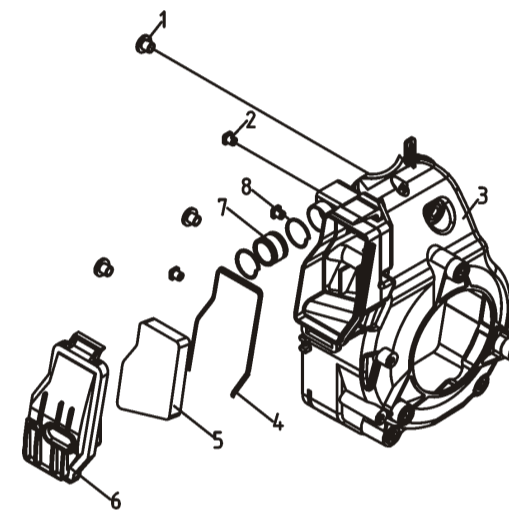
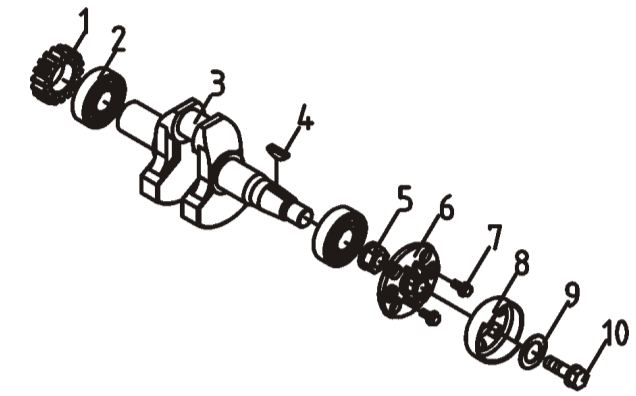


Piston Connection Rod Assembly KG55-04000

No.	Part.No	Part name	Qty.
1	KG55-04001	1st Air Ring	1
2	KG55-04002	2nd Air Ring	1
3	KG55-04100	Oil Ring Parts	1
4	KG55-04003	Piston	1
5	KG55-04004	Piston Pin	1
6	GB/T895.1-1986	Retainer Ring 10	2
7	KG55-04201	Connection Rod	1
8	KG55-04202	Connection Rod Cover	1
9	KG55-04204	Oil Needle	1
10	KG55-04203	Connection Rod Bolt	2

Crankshaft Flywheel Assembly KG55-05000

No.	Part.No	Part name	Qty.
1	KG55-05002	Crankshaft Timing Gear	1
2	GB/T276-1994	Rolling Bearing 6203	2
3	KG55-05001	Crankshaft	1
4	KG55-05003	Key(3X4.9X16)	1
5	KG55-05004	Flywheel Nut	1
6	KG55-05005a	Starting Claw Disc Bracket	1
7	GB/T5789-1986	Bolt M5X12	2
8	KG55-05006	Starting Claw Disc	1
9	GB/T96.1-2002	Big Washer 6	1
10	GB/T5789-1986	Bolt M6X12	1

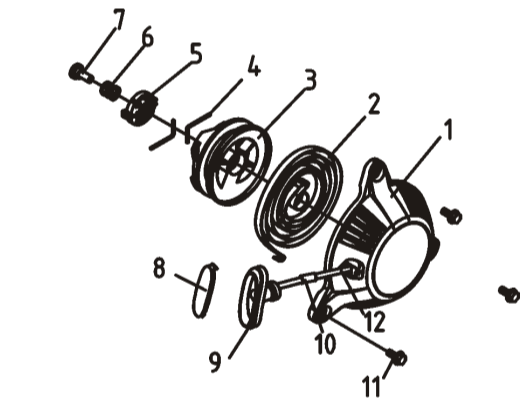
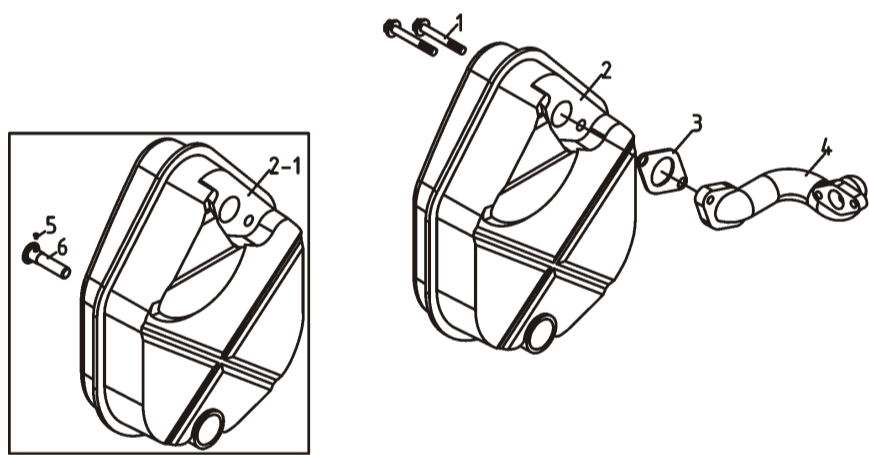


Inlet System KG55AGTi-07000

No.	Part.No	Part name	Qty.
1	KG55-07126	Bushing II	3
2	KG55-07125	Bushing I	3
3	KG55AGTi-07123	Air Conduct Cover	1
4	KG55-07113	Sealing Gasket II	1
5	KG55-07122	Filter Element	1
6	KG55-07111	Air Filter Cover	1
7	KG55-07002	Connection Pipe	1
8	KG55-07001	Clip Hoop	2

Exhaust System KG55-08000

No.	Part.No	Part name	Qty.
1	GB/T5789-1986	Bolt M6X50	2
2	KG55-08100	Muffler Weldment Part	1
2-1	KG55-08100a	Muffler Weldment Part	1
3	KG55-08002	Muffler Gasket	1
4	KG55-08001	Exhaust Pipe	1
5	GB/T846-1985	Self-tapping Screw ST3.5X7	1
6	KG55-08140	Welding Part of Spark Catcher	1

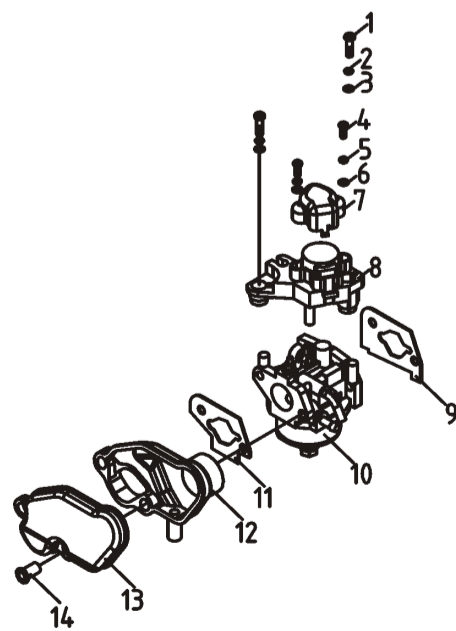


Recoil Starter Assembly KG55-12000

No.	Part.No	Part name	Qty.
1	KG55-12001	Starter Outer Shell	1
2	KG55-12003	Recoil Starter Spring	1
3	KG55-12002	Starter Reel	1
4	KG55-12006	Retainer Rod	2
5	KG55-12007	Retainer Rod Pannel	1
6	KG55-12004	Friction Spring	1
7	KG55-12008	Screw	1
8	KG55-12012	Starter Handle Cover	1
9	KG55-12011	Starter Handle	1
10	KG55-12009	Pulling Rope Bushing	1
11	GB/T5789-1986	Bolt M5X12	3
12	KG55-12005	Starter Pulling Rope	1

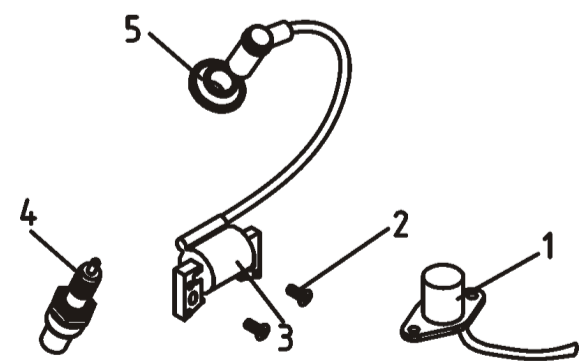
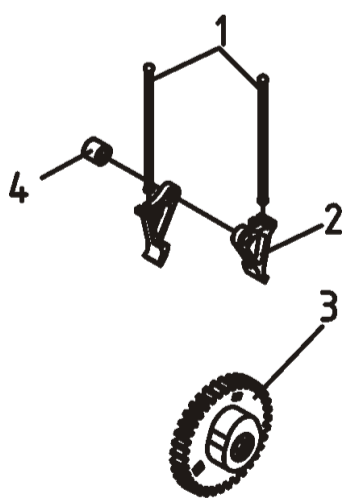
Carburetor Assembly KG55AGTi-10000

No.	Part.No	Part name	Qty.
1	GB/T818-2000	Screw M4X10	2
2	GB/T848-2002	Washer 3	2
3	GB/T93-1987	Washer 3	2
4	GB/T818-2000	Screw M3X5	2
5	GB/T848-2002	Washer 4	2
6	GB/T93-1987	Washer 4	2
7	KG55-10002	Motor Bracket Cover	1
8	KG55-10001	Motor Bracket	1
9	KG55-10003	Carburetor Gasket	1
10	P15-000	Carburetor Part	1
11	KG55-10004	Carburetor Gasket A	1
12	KG55AGTi-10102	Ventilation Pipe	1
13	KG55-10101	Ventilation Pipe Cover	1
14	KG55-10103	Bushing	1



Valve Actuating Mechanism Assembly KG55-06000a

No.	Part.No	Part name	Qty.
1	KG55-06002	Valve Pushing Rod	2
2	KG55-06001	Valve Tappet	2
3	KG55-06101a	Cam and Driving Gear	1
4	KG55-06003	Axle Sleeve	1



Ignition System KG55AGTi-14000

No.	Part.No	Part name	Qty.
1	KG55AGTi-14200	Oil Alarm	1
2	GB/T845-1985	Scrwe ST5.5X19-F-H	2
3	KG55-14100	Ignition Coil	1
4	QC/T430-1999	Spark Plug A7RTC	1
5	KG55-14001	Shock Pad	1